

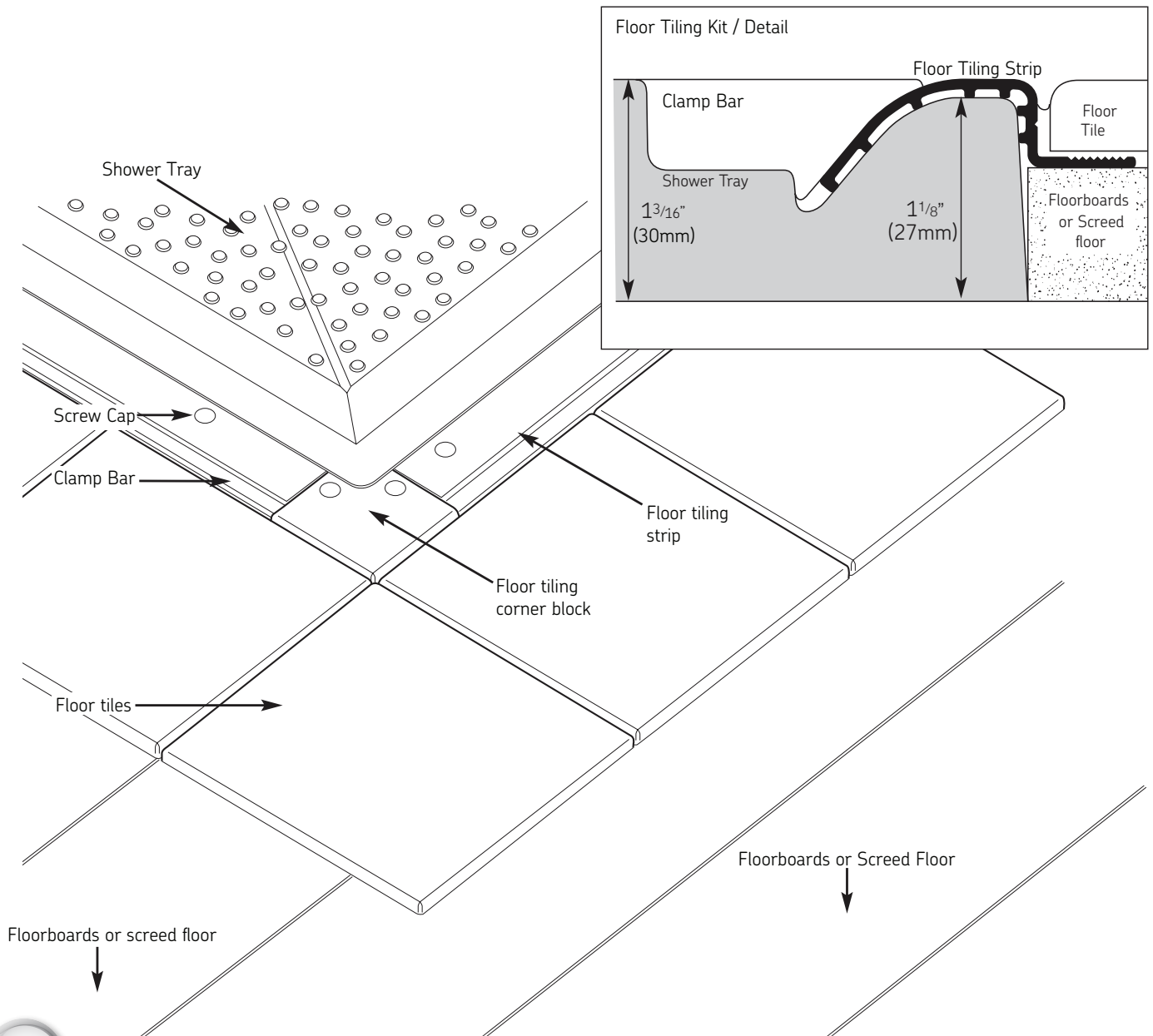
# Mullen Shower Tray - Floor Tiling Kit Installation and User Care Instructions

Patent GB2394175 and other GB, US and World-Wide Patents Pending

The standard Mullen shower tray has a channel to accept the floor covering around two sides. This extends outside the shower screen area by 50mm (2") on one side and 50mm (2") on the other side. When floor tiles are to be used the floor tiling strip is easily fitted to replace the normal floor covering. The flat underside of the Mullen shower tray is 30mm (1 3/16") below the finished floor surface. The screen flat mounting area on the top of the shower tray is level with the finished floor surface.

## Available Sizes

700mm (27 1/2")	1000mm (39 3/8")	1200mm (47 1/4")	1300mm (51")
820mm (32 1/4")	1420mm (55 7/8")	1500mm (60")	1800mm (70 7/8")



Read ALL instructions carefully BEFORE installation and leave with the end user for future reference

## Installing the floor tiling kit

Follow the Mullen shower tray installation instructions dependant upon the type of flooring installed (See Fig. 1 & 2)

Carefully clean out the clamping bar channels running around the edges of the shower tray.

Remove the screws protecting the screw inserts, place the floor tiling corner moulding in place and secure with screws provided.

With the universal tiling kit, measure the length of the clamping bars and cut the floor tiling strips to the same length. Position the floor tiling strips in place.

For extra support the floor tiling strip can be screwed to the shower tray and/or to the floor (screws not supplied). (See Fig. 3).

If the floor tiling strip is to be secured to the tray or the floor, ensure that the top surface of the strip is fitted level with the shower screen mounting surface.

With the floor tiling strips in place, secure the tiling corner moulding with the M6 stainless steel screws supplied.

Apply a line of mastic sealant to both ends of both clamping bars.

Fit both clamping bars, gradually and evenly tightening the screws to eliminate any distortion in the floor tiling strip. (See Fig. 4).

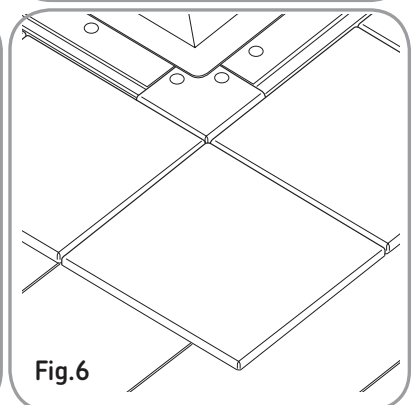
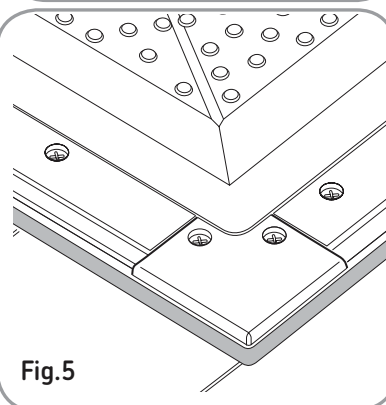
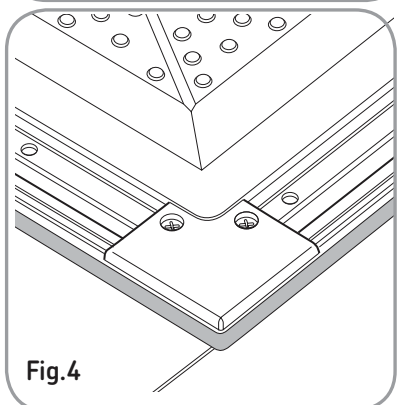
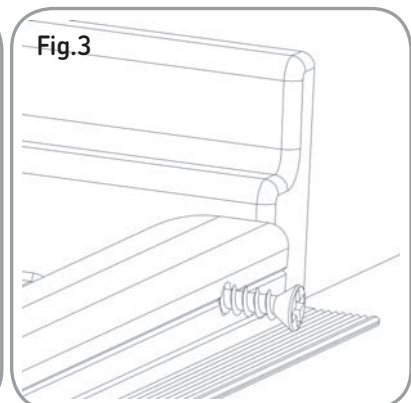
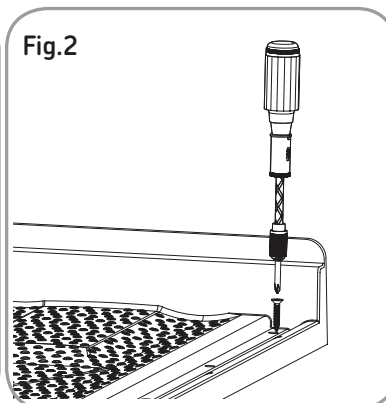
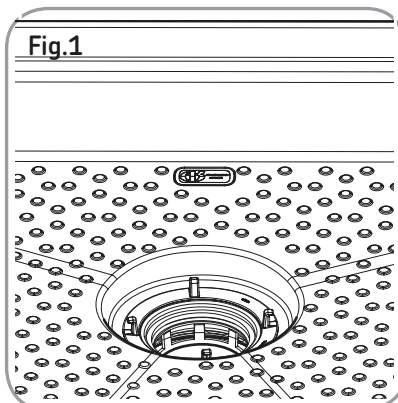
Remove any excess sealant immediately.

Fit the screw caps, pressing them firmly, flush with the surface of the clamping bars and corner moulding. (See Fig. 5)

The shower tray is now ready for the floor tiles. (See Fig. 6)

Always ensure that the tiles are fitted level with th shower tray and floor tiling strips.

Apply a line of mastic sealant to the joint between the tiles and the floor tiling strips to maintain a waterproof joint.



**Failure to install this AKW product in accordance with supplied instructions or the making of unauthorised modifications will invalidate any warranty and will affect product safety.**

To order additional products or parts please call: 01905 823299 or on the details above

AKW, Pointon Way, Hampton Lovett, Droitwich Spa, WR9 0LR  
Tel.+44 (0) 1905 823298 - Fax. +44 (0) 1905 823297 - [www.akw-ltd.co.uk](http://www.akw-ltd.co.uk)